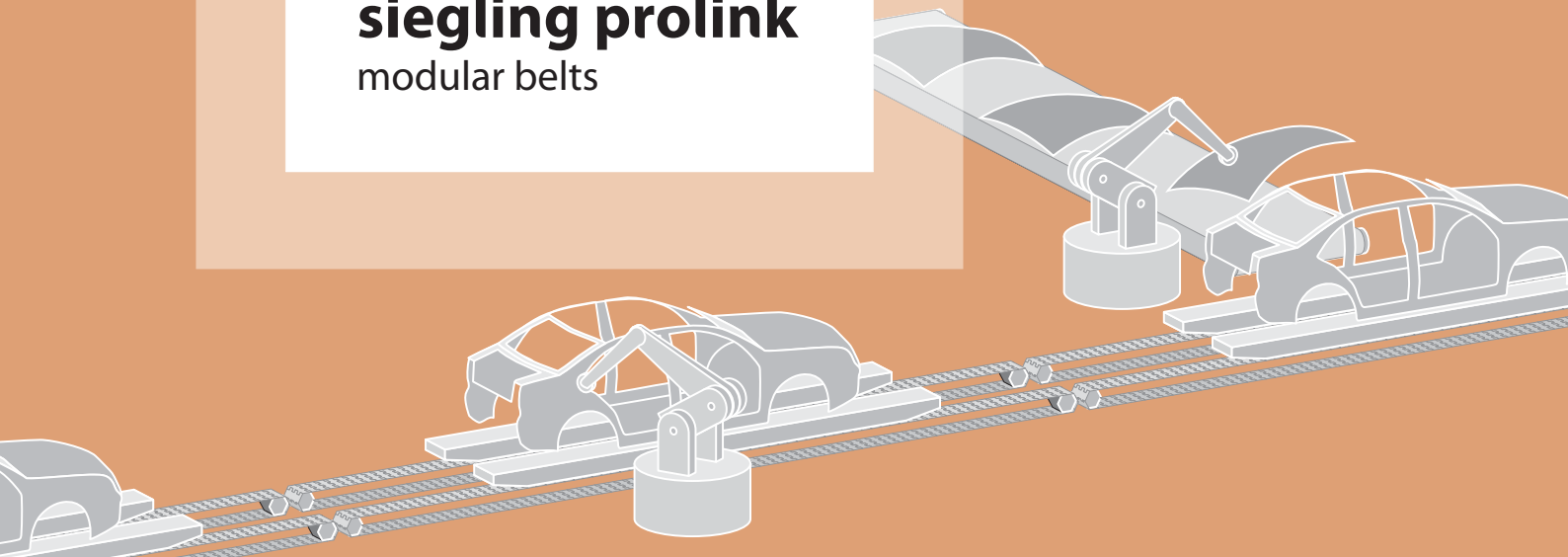


siegling prolink

modular belts



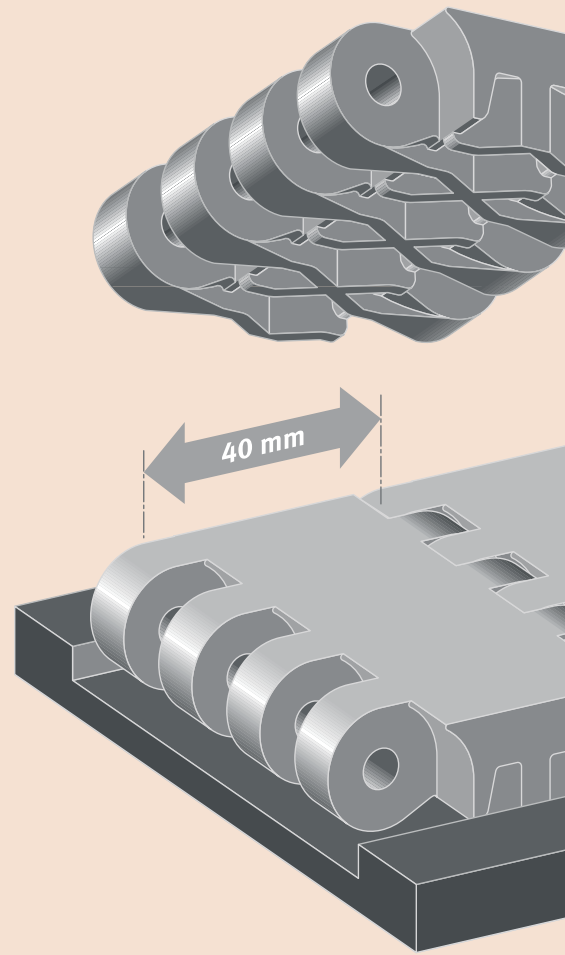
Right on track and
ready for action



Right on track and ready for action: Siegling Prolink skid conveyor belts

There's a lot to do in vehicle body and paint shops before vehicles can stand on their own wheels. The skids require a strong partner to stay on track in the production process: Siegling Prolink skid conveyor belts. With sophisticated shapes and excellent material, they are extremely reliable and moderately priced.

Siegling Prolink skid conveyor belts. Extremely strong, extremely economical.



The properties

The advantages

narrow pitch (40 mm)	▶ small sprocket diameters, compact conveyor construction, chordal action minimised
low belt weight, material ideal for the gliding base underneath	▶ lower drive force, low-noise, smooth tracking
robust, distortion-resistant modul design	▶ very resilient, resistant to abrasion and shocks
no lubrication necessary	▶ little maintenance required



Ref. no. 121-2
01/09 - PV - Reproduction of text or parts thereof only with our approval. Subject to change.